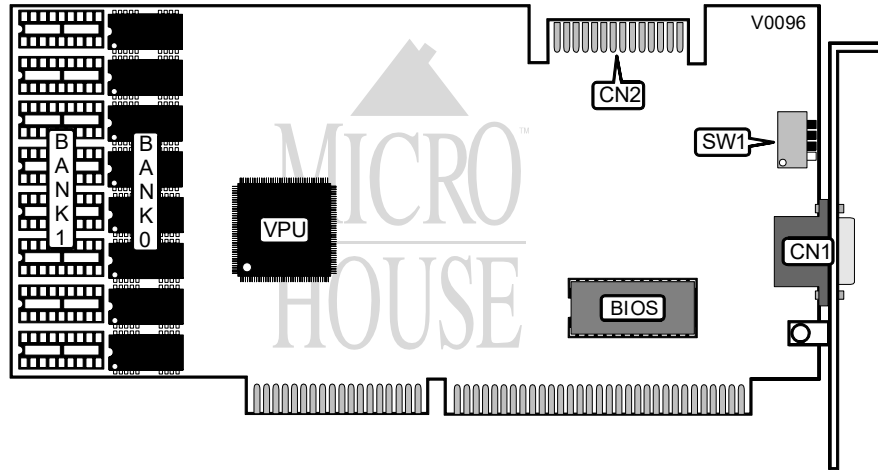


GENOA SYSTEMS CORPORATION SUPERVGA 6100

Category Video
Video Types Supported XVGA
Video Processor Genoa
Highest Resolution Supported 1024 x 768
Data Bus Type 16-bit ISA
Memory Type DRAM
Maximum Onboard Memory 512KB



CONNECTIONS			
Purpose :	Location	Purpose :	Location
15-pin analog video port	CN1	VGA feature connector	CN2

MONITOR TYPE SELECTION			
Type	SW1/1	SW1/2	SW1/3
Sony 1302	On	On	On
Sony1304	Off	On	On
Nanao 9070	Off	Off	On
NEC Multi-Sync XL	Off	On	Off
NEC Multi-Sync 3D	On	Off	Off
NEC Multi-Sync 2A	On	On	Off
IBM 8503, 8512, 8513, 8514	Off	Off	Off
NEC Multi-sync 4D or 5D	Off	On	On
Mitsubishi Diamon Scan	Off	On	On
HL6605TK & FL/HL 6615	Off	On	On
Nanao 9500	Off	On	On

Continued on next page . . .

GENOA SYSTEMS CORPORATION
SUPERVGA 6100

. . . continued from previous page

CGA GAME CONFIGURATION	
Setting	SW1/4
Disabled	Off
Enabled	On
Note: Only enable the CGA game setting if using a game which needs to bootup from the floppy drive.	

DRAM CONFIGURATION		
Size	Bank (Bank :
256KB	(8) 41256	None
512KB	(8) 41256	(8) 41256